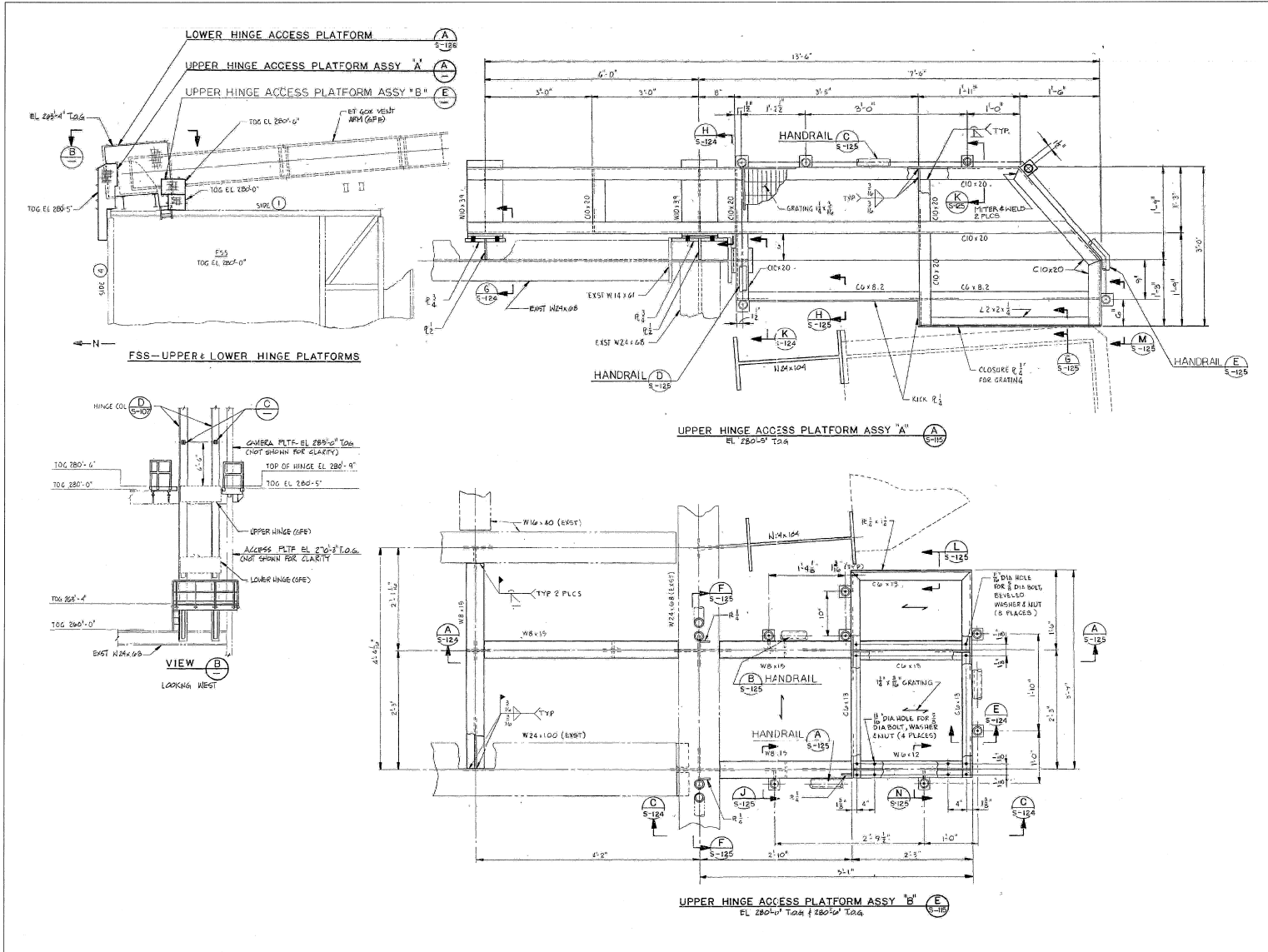


NOTICE: When Government drawings, specifications, or other data are used for any purpose other than in connection with a defined Federal Government procurement operation, the United States Government thereby incurs no responsibility or obligation and the fact that the Government may have furnished, furnished, or in any way supplied the said drawings, specifications or other data is not to be regarded as an indication or otherwise as in any manner favoring the holder or any other person or organization, or conferring any rights or permission in connection therewith, or any patent or other intellectual property rights that may be related thereto.



**ET GOX VENT ARM UPPER HINGE PLATFORM PLAN AND DETAILS**  
 NIS - SOURCE FILE 79K24048 SHEET S123

SYM	ZONE	DESCRIPTION	DATE	APPROVED
REVISIONS				
THIS DRAWING CREATED IN AUTOCAD 2007 FILE FORMAT AND WILL BE REVISED ONLY ON AN AUTOCAD SYSTEM. FILE: 1405006-558.DWG				

**JONES EDMUNDS**  
 730 NE WALDO ROAD, GAINESVILLE, FLORIDA 32641 / (352) 377-5821  
 3915 WASHINGTON AVE, SUITE 210, TITUSVILLE, FLORIDA 32760 / (321) 268-2910

SIGNATURES	DATE	NATIONAL AERONAUTICS AND SPACE ADMINISTRATION
DRAWN S. HAFERKAMP	06/24/09	JOHN F. KENNEDY SPACE CENTER, NASA KENNEDY SPACE CENTER, FLORIDA
CHECKED S. BHIDE	06/24/09	LAUNCH COMPLEX 39B, DEMOLITION OF FSS/RSS AT LAUNCH COMPLEX 39B, DEMOLITION PACKAGE
DESIGNED N. PONTILLO	06/24/09	ET GOX VENT UPPER HINGE PLATFORM PLAN & DETAILS
SUBMITTED [Signature]	6/24/09	

APPROVED	DATE	SIZE	DWG. NO.	REV
[Signature]	6/24/09	F	222W220001	

TITLE	PROJ. NO.	SHEET
ET GOX VENT UPPER HINGE PLATFORM PLAN & DETAILS	95580	73